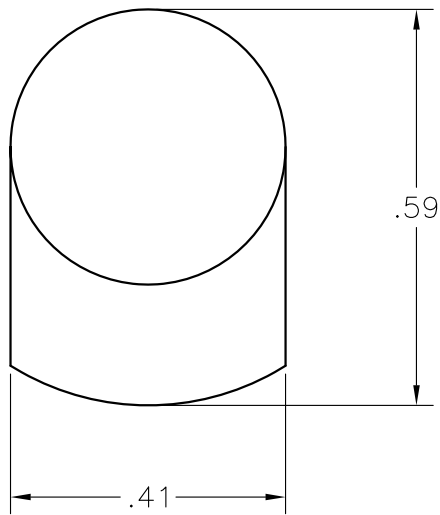
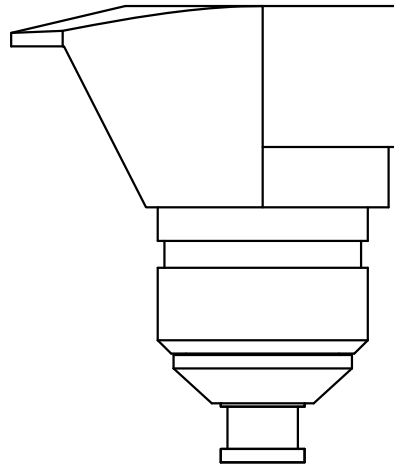
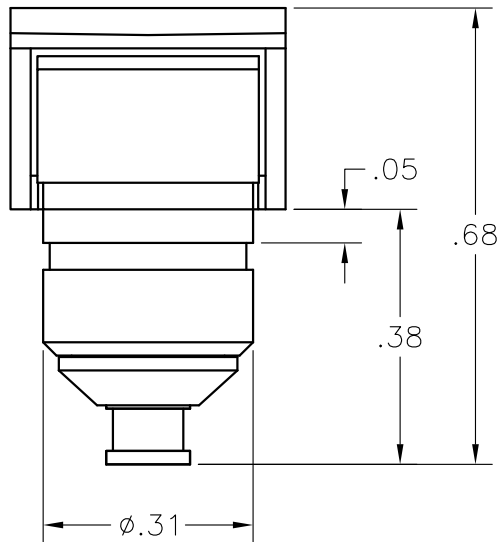


POST LIGHT CAP NVIS WHITE WITH LED



PCG-910002-02	28 VOLT
PCG-910002-01	5 VOLT
DASH NO.	CONFIGURATION



NVIS WHITE POST LIGHT CAP WITH AN INTERNAL RESISTOR.
AVAILABLE IN 5 VOLT & 28 VOLT CONFIGURATIONS.
THIS CAN BE USED AS A DIRECT REPLACEMENT FOR AN
INCANDESCENT POST LIGHT CAP.

SPECIFICATIONS:

HOUSING COLOR— FLAT BLACK
POWER REQUIREMENTS -01 — 5VDC OR 5VAC 400 HZ, 50mA MAX.
POWER REQUIREMENTS -02 — 28VDC OR 28VAC 400 HZ, 50mA MAX.

COLOR OF LIGHT— NVIS WHITE
NVIS RADIANCE— $<1.0E^{-9}$ (NR A)
WEIGHT— 1.0 OZ.